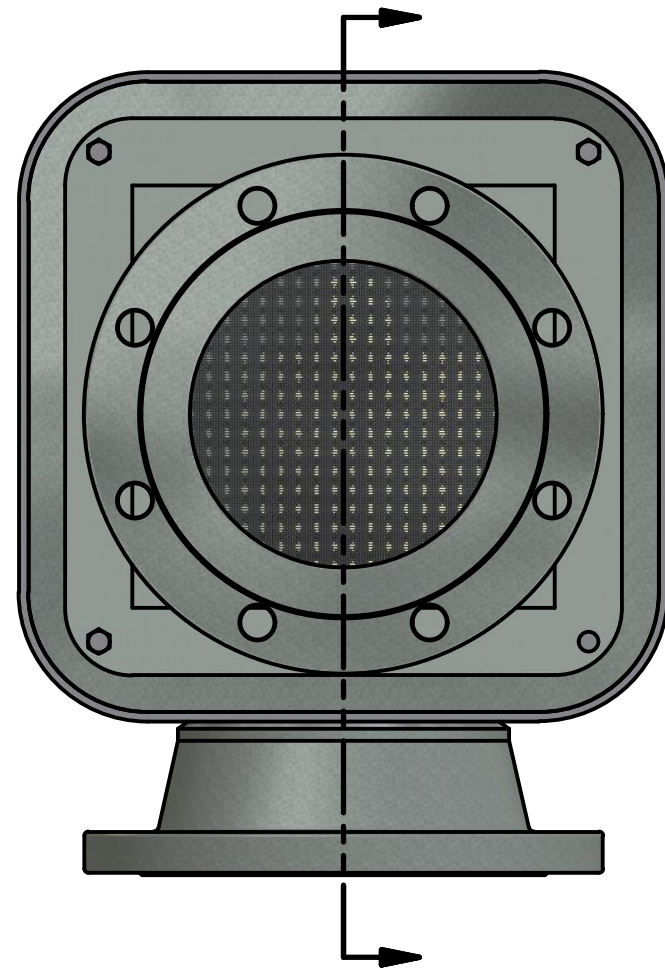
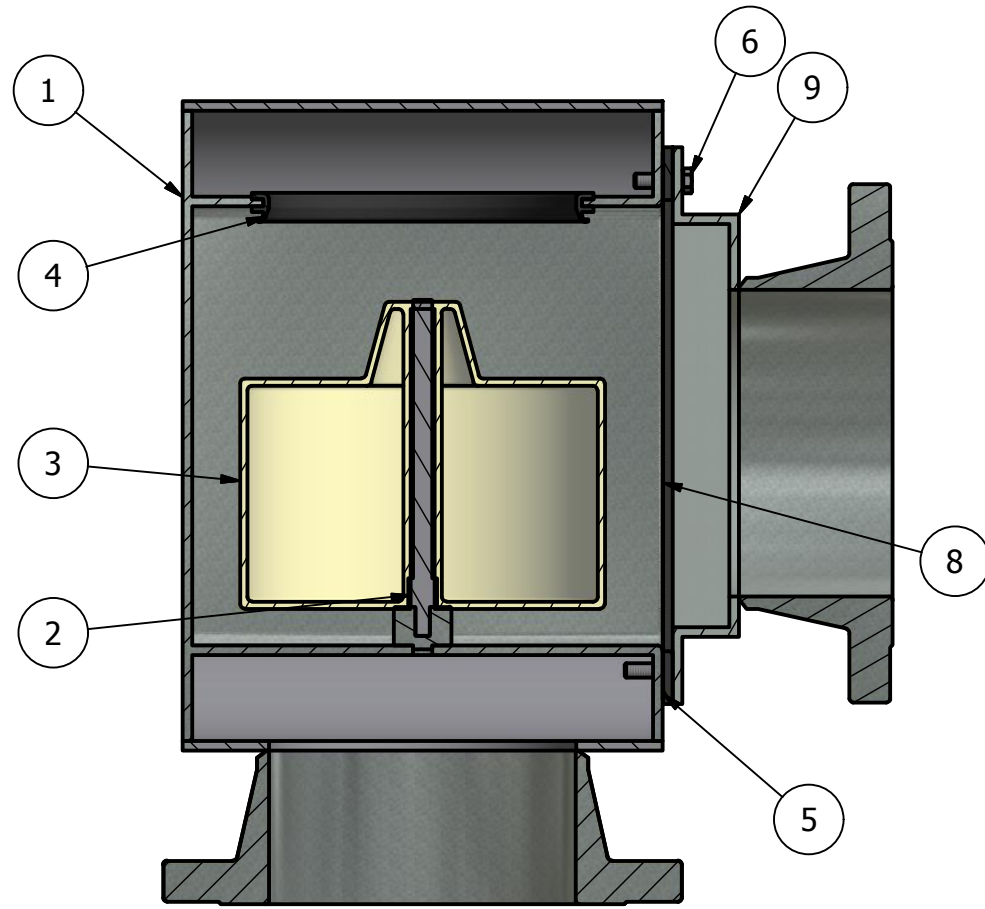


**Robert H. Wager Co., Inc.**

570 Montroyal Road  
 Rural Hall, NC 27045  
 Ph: 800-562-7024  
 Fx: 336-969-6375  
 www.wagerusa.com

# 1500-90°

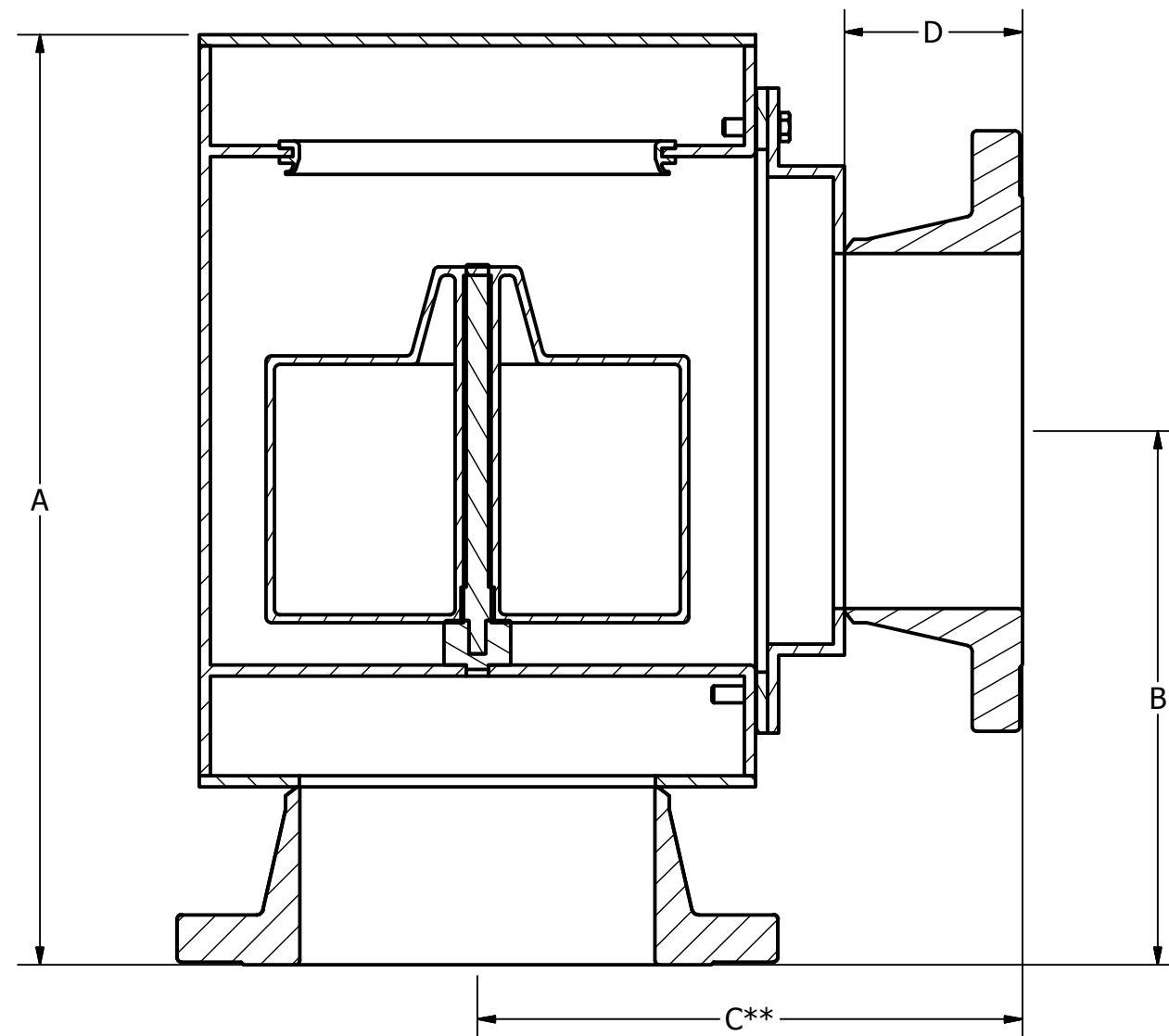
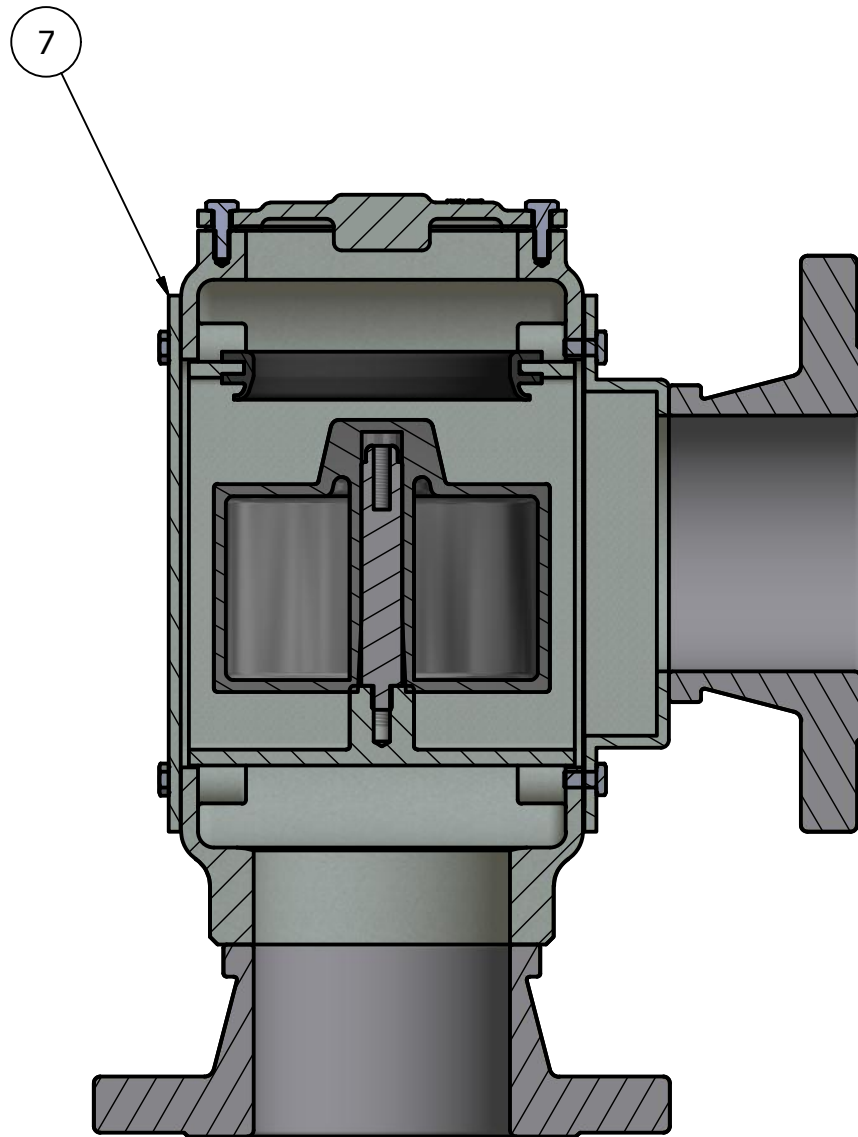
PARTS LIST	
ITEM	DESCRIPTION
1	1500 BODY
2	FLOAT GUIDE ROD
3	FLOAT
4	FLOAT SEAT
5	30 x 30 MESH, .011 WIRE DIA., 44.8% OPEN AREA SCREEN
6	BOLT
7	COVERPLATE
8	COVER GASKET
9	90 DEGREE COVER



12", 14", & 16" NOT OFFERED IN 90°, DUE TO OPEN AREA RESTRICTIONS.

10" OFFERED WITH 16 MESH SCREEN WITH 67% OPEN AREA.

THE 10" IS ONLY VALVE TO COME WITH (1) PART #7 TO BLOCK ONE OF THE DOUBLE COVERS OFF.



(C\*\*) - THIS DIMENSION CAN BE DETERMINED BY CUSTOMER FOR CORRECT FITMENT

TABLE				
Column 1	Column 2	Column 3	Column 4	Column 5
SIZE	A	B	C(STANDARD)	D
1.5	10.3225	5.770	5.085	1.500
2	10.8225	5.3125	5.572	1.7375
2.5	11.3125	6.0625	5.835	2.000
3	13.495	6.950	7.075	2.500
4	13.625	7.500	7.250	2.750
5	15.625	8.375	8.500	3.000
6	18.500	9.050	10.385	3.500
8	22.200	12.000	12.000	4.4065
10	22.000	11.9375	13.000	5.000