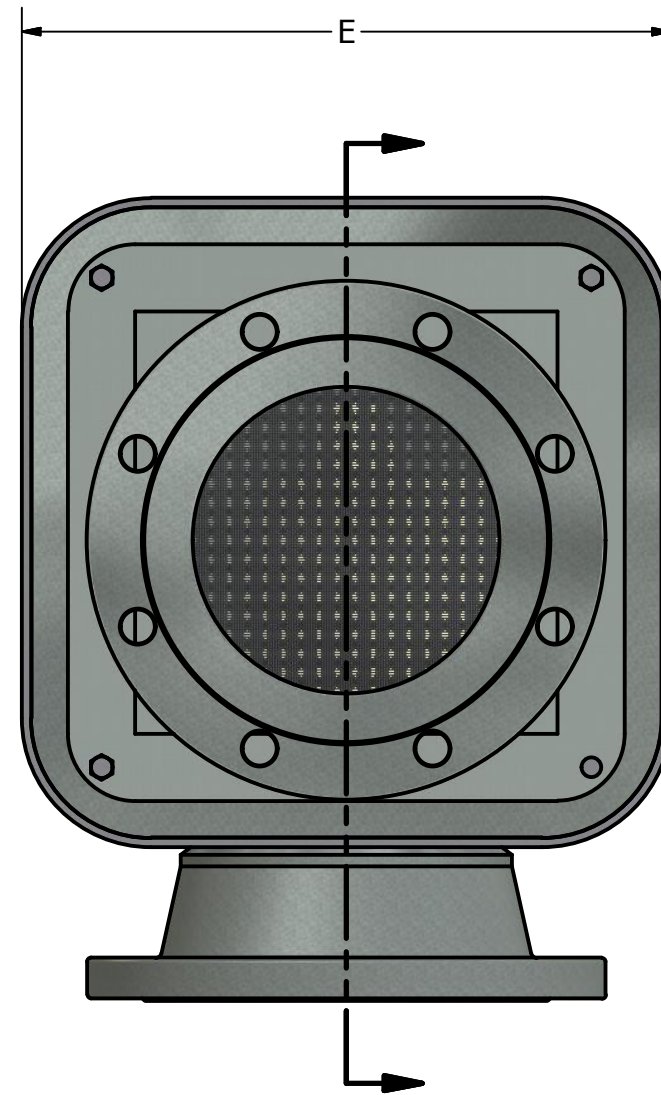
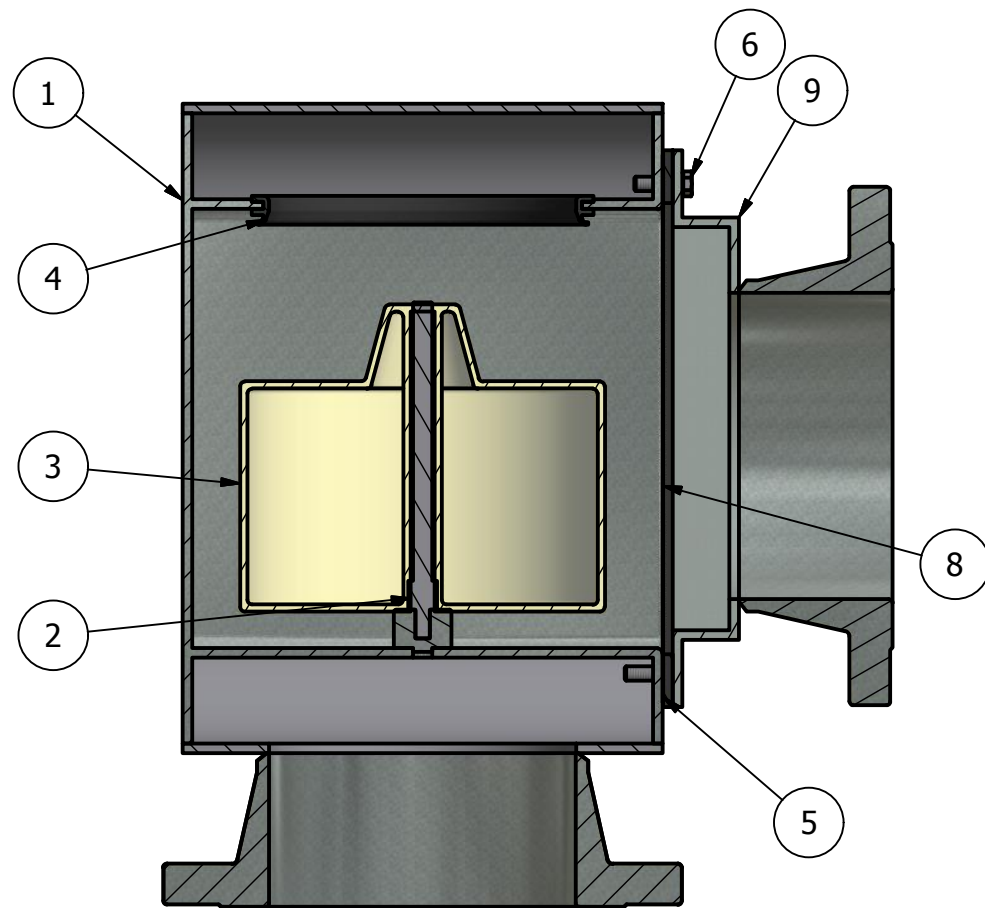


**Robert H. Wager Co., Inc.**

570 Montroyal Road  
Rural Hall, NC 27045  
Ph: 800-562-7024  
Fx: 336-969-6375  
www.wagerusa.com

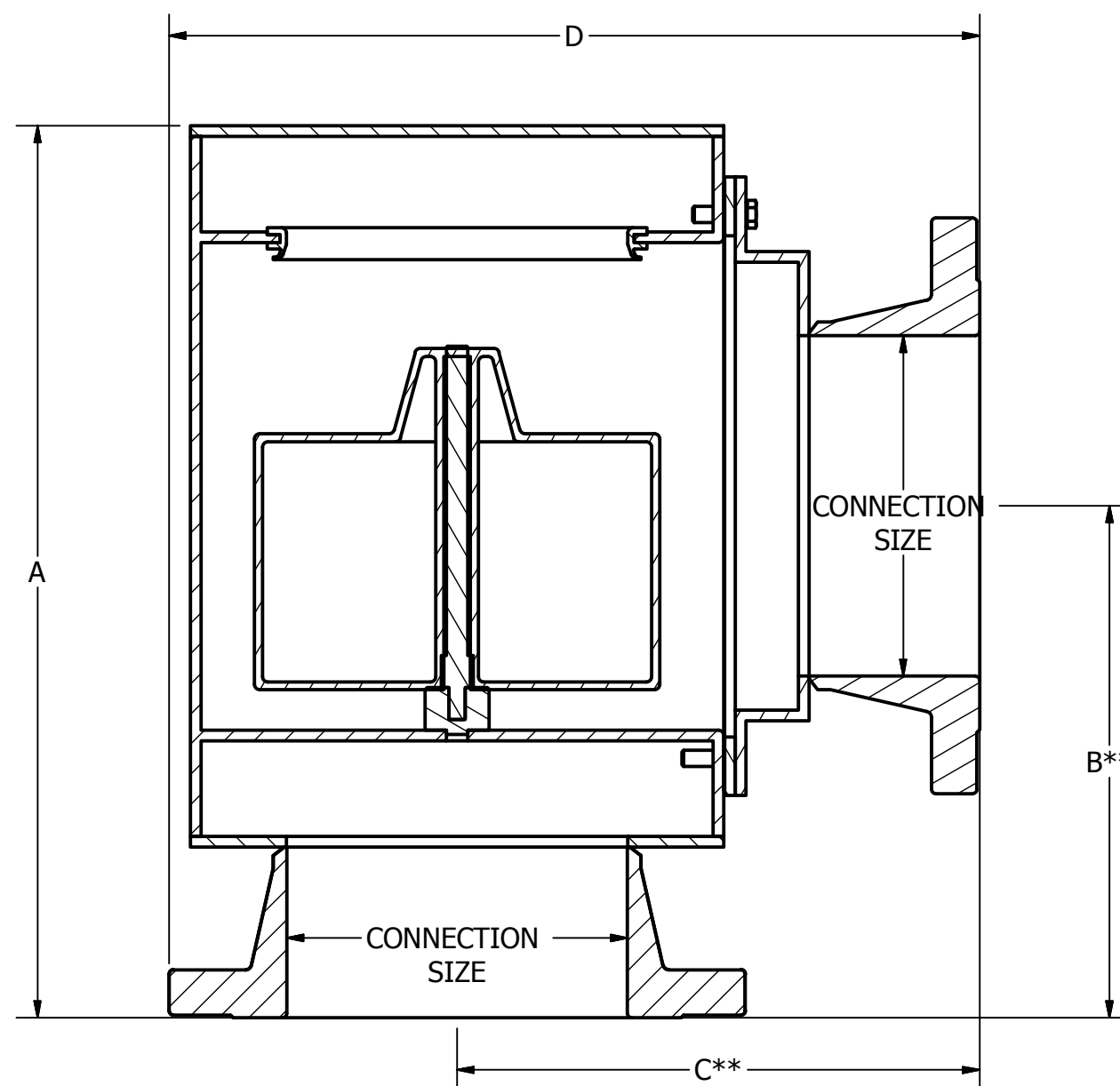
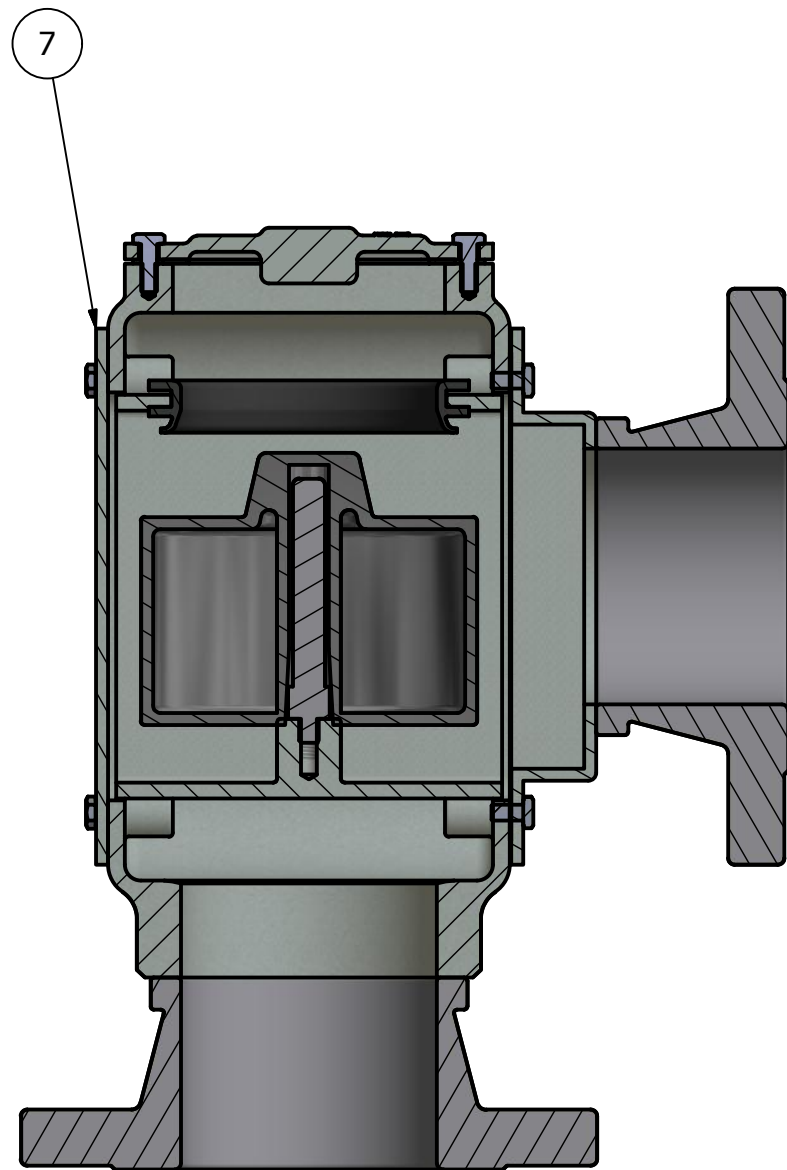
PARTS LIST	
ITEM	DESCRIPTION
1	1500 BODY
2	FLOAT GUIDE ROD
3	FLOAT
4	FLOAT SEAT
5	30 x 30 MESH, .011 WIRE DIA., 44.8% OPEN AREA SCREEN
6	BOLT
7	COVERPLATE
8	COVER GASKET
9	90 DEGREE COVER



12", 14", & 16" NOT OFFERED WITH SCREEN IN 90°, DUE TO OPEN AREA RESTRICTIONS.

10" OFFERED WITH 16 MESH SCREEN WITH 67% OPEN AREA.

THE 10"-16" COMES WITH (1) PART #7 TO BLOCK ONE OF THE DOUBLE COVERS OFF.



Column 1	Column 2	Column 3	Column 4	Column 5	Column 6
CONNECTION SIZE	A (HEIGHT)	B (VERTICAL CENTER)	C (HORIZONTAL CENTER)	D (DEPTH)	E (WIDTH)

DIMENSIONS B\*\* AND C\*\* ARE CRITICAL FOR PROPER FITMENT OF 90° VALVES

PLEASE FILL IN THIS TABLE WITH DIMENSIONS NEEDED TO FIT VALVES IN CURRENT SPACE

\*\*DISREGARD B\*\* AND C\*\* FOR NON 90° VALVES\*\*