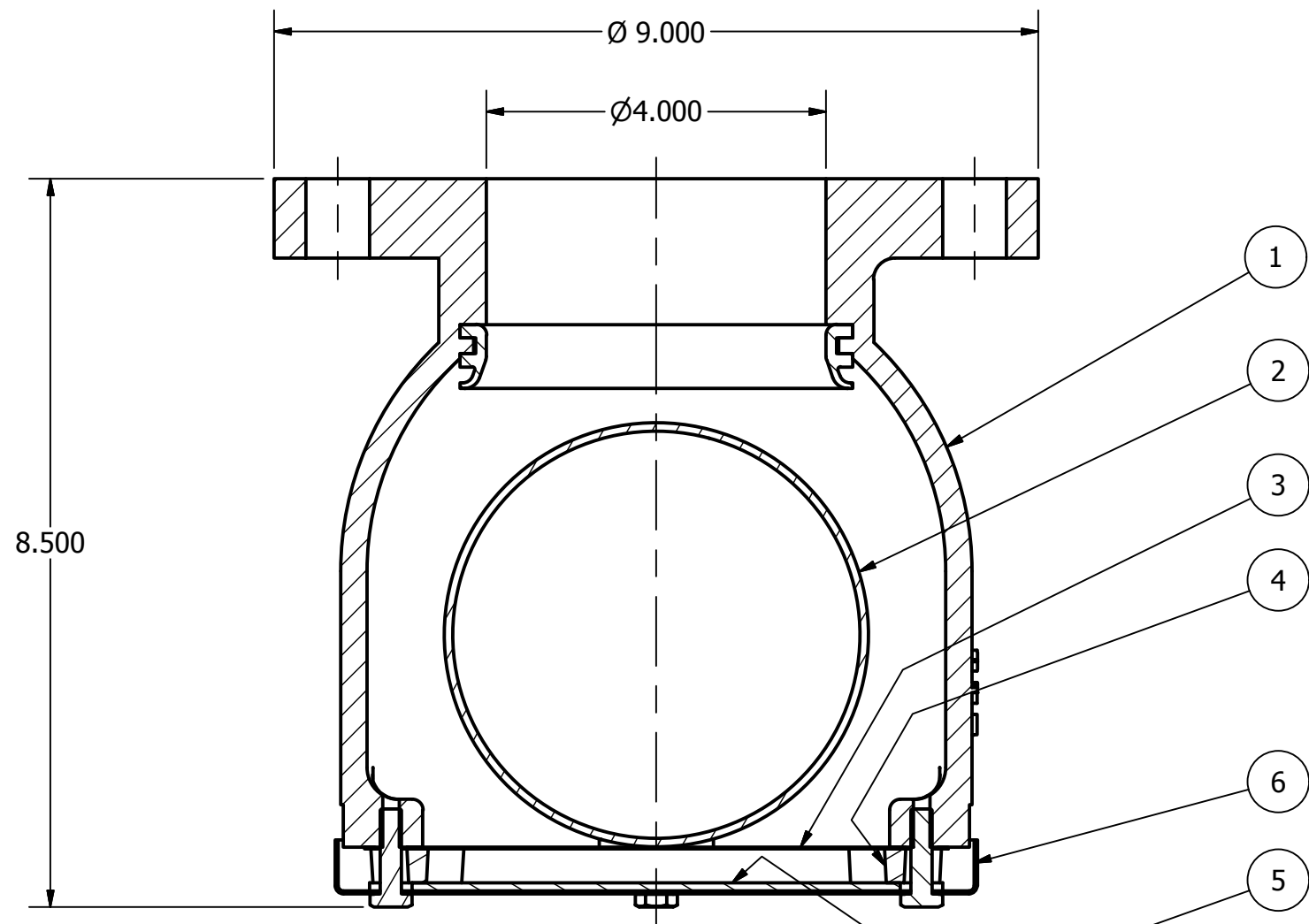
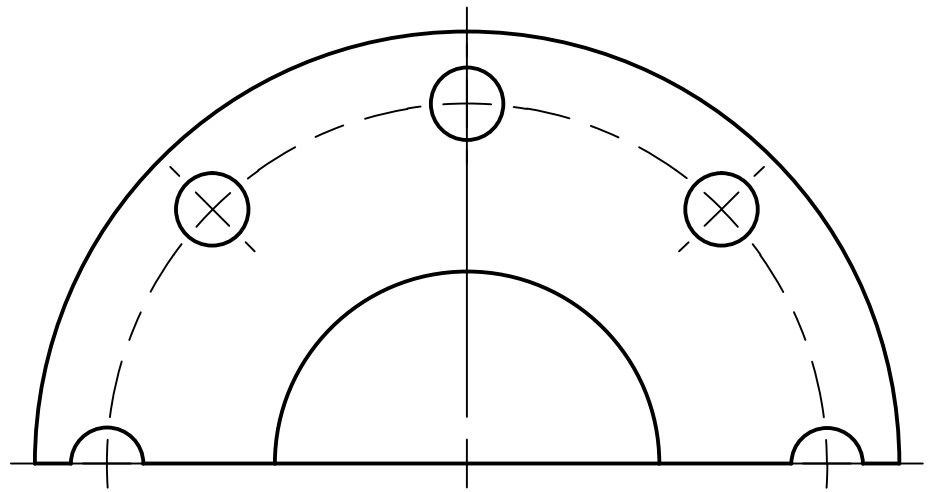
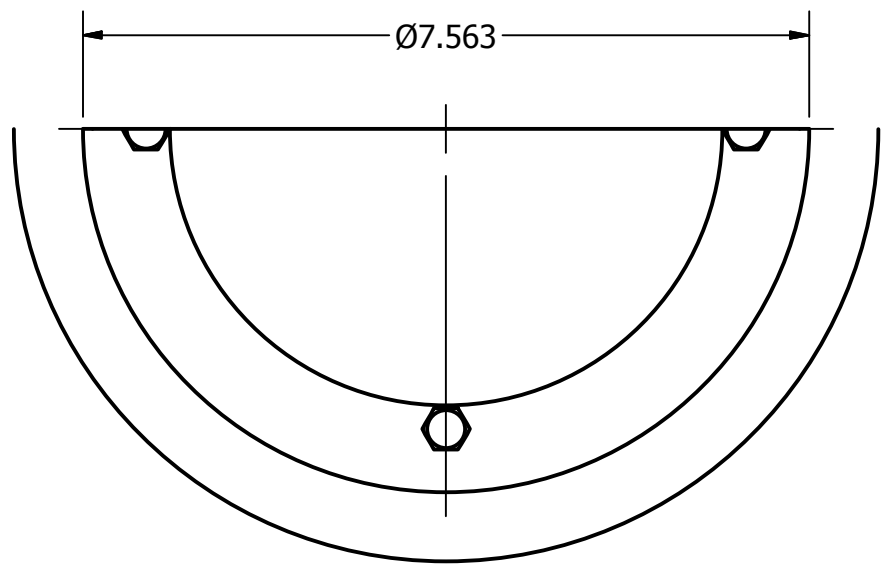
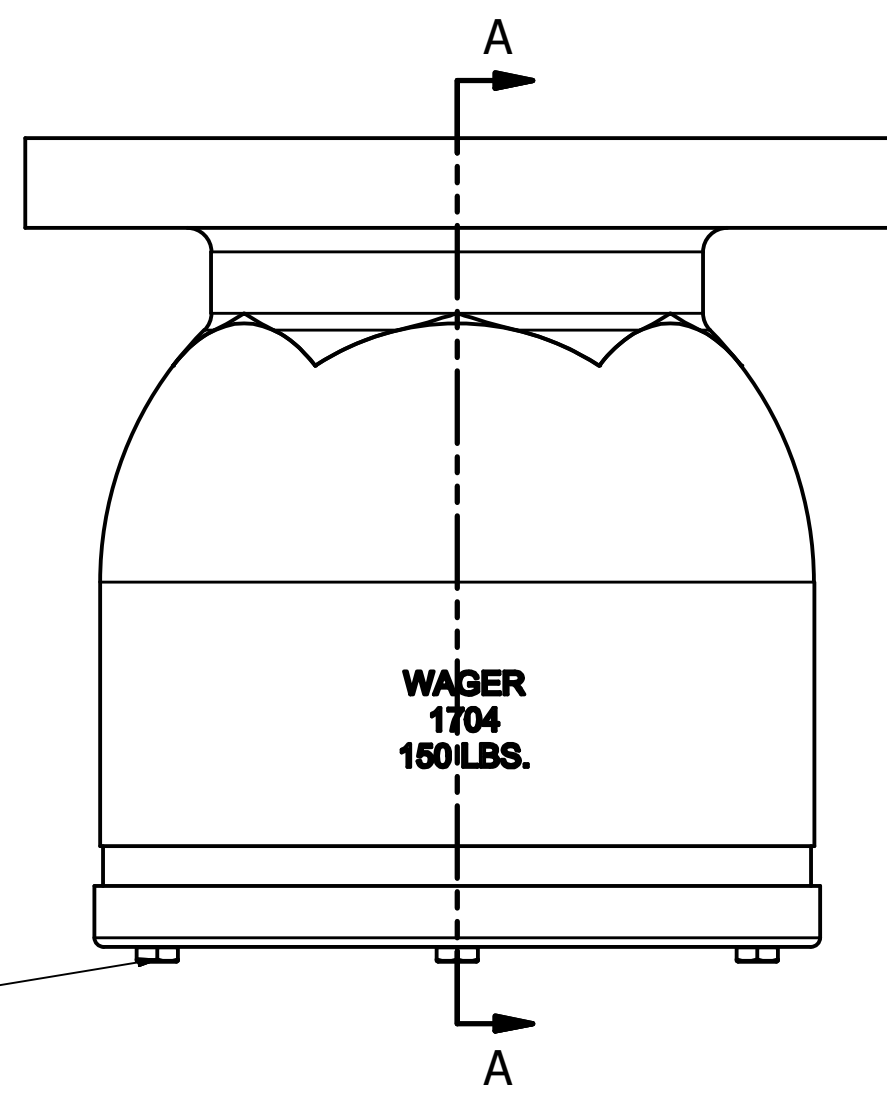


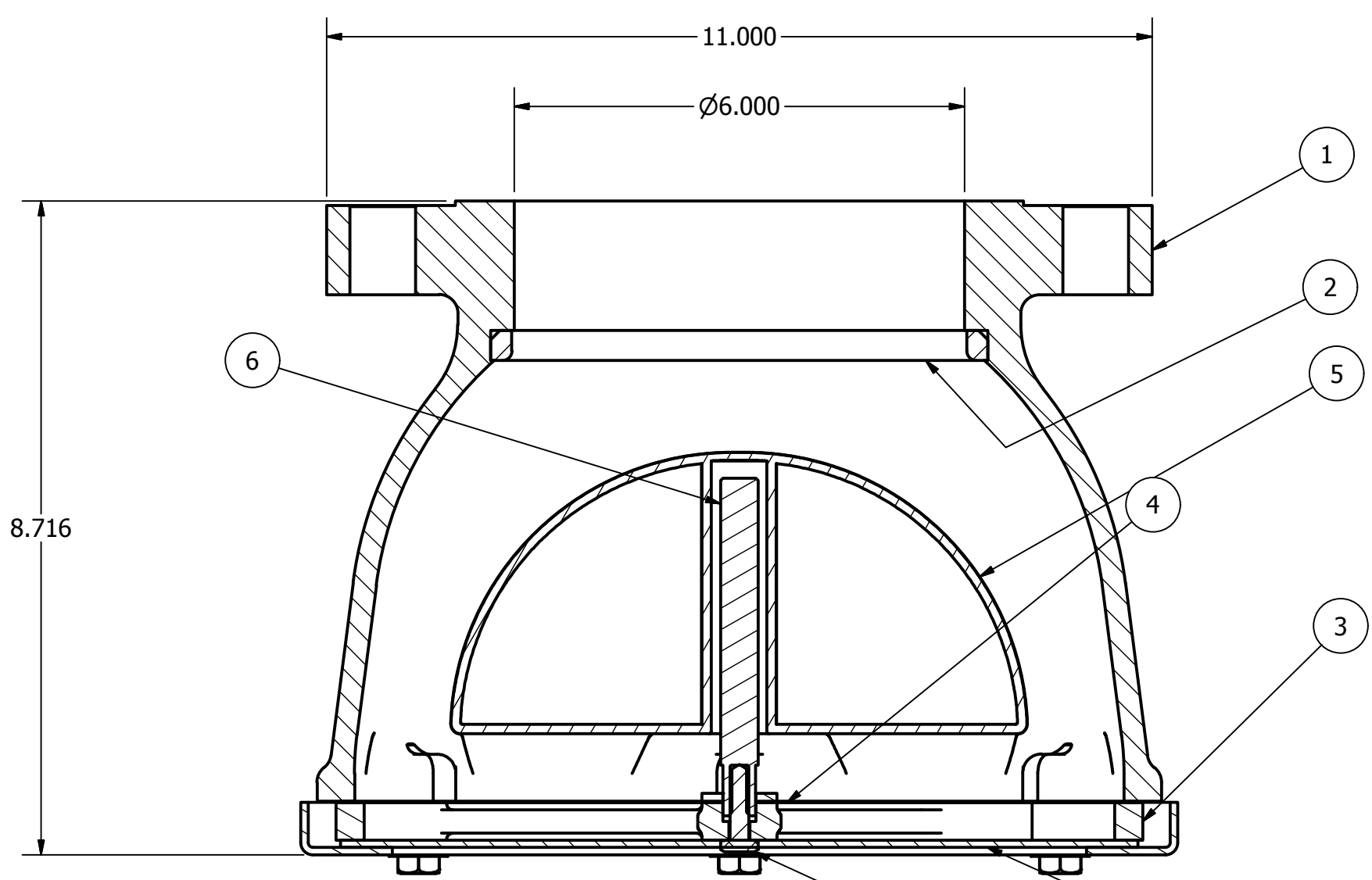
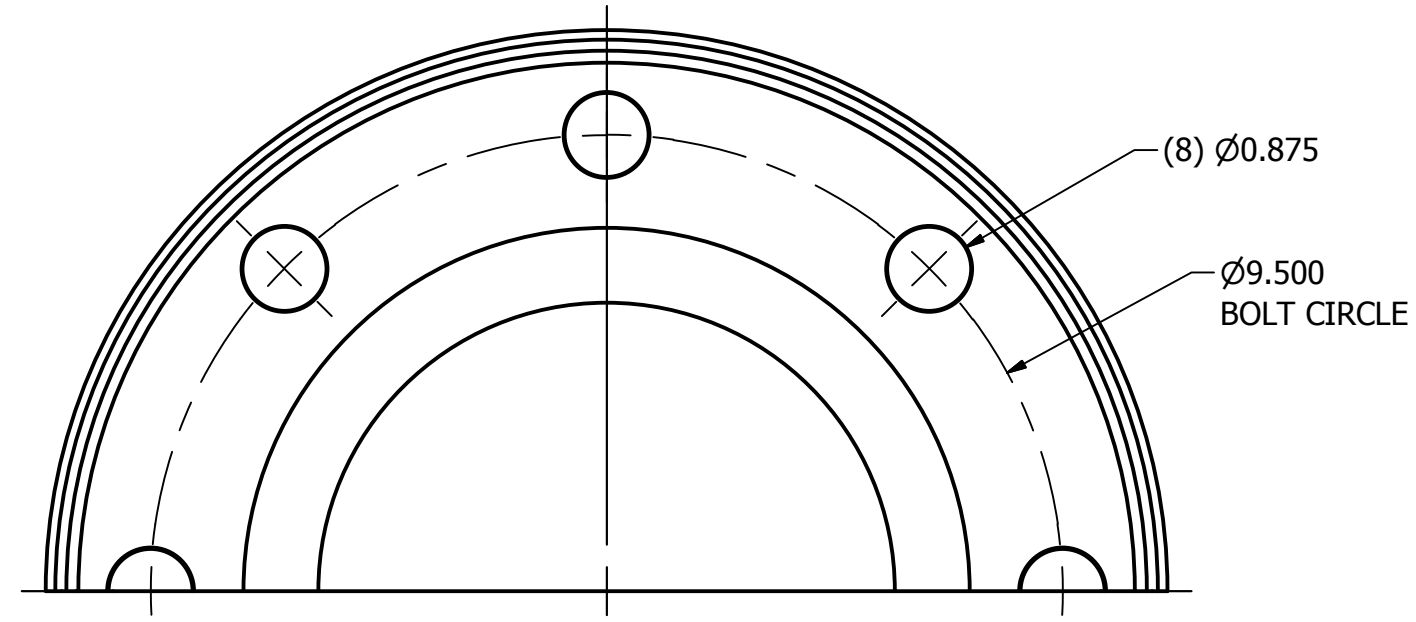
PARTS LIST				
ITEM	QTY	PART NUMBER	DESCRIPTION	MATERIAL
1	1	1704AFFPC	CAST, COATED	Aluminum
2	1	FLT-5P	5" FULL DIA.	HDPE, Black
3	1	SCRN-4-30SS	30 x 30 MESH, .011 WIRE DIA.	Stainless Steel
4	1	SR-4-A	CAST, .500 THICK	Aluminum-6061
5	1	SCRN-4-1/4SS	1/4 x 1/4 MESH, .047 WIRE DIA.	Stainless Steel
6	1	1764SS	STAMPED, 20 GAGE	Stainless Steel
7	4	BOLT-1/4-1	1/4-20 x 1" HEX HEAD	Stainless Steel



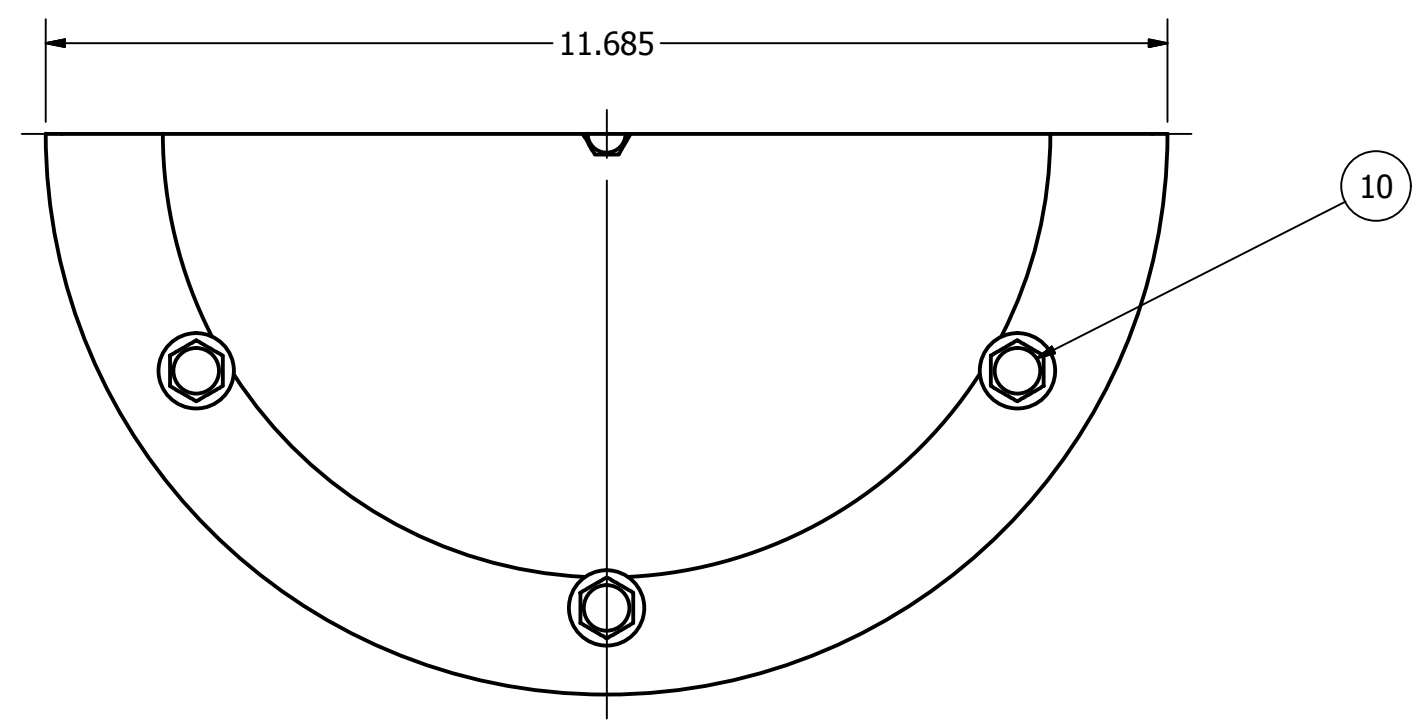
SECTION A-A  
SCALE 1 / 2



DRAWN SHARDY	4/27/2009	ROBERT H. WAGER CO., INC.		
CHECKED		TITLE		
QA		SEWER VENT VALVE - 1700 SERIES		
MFG		SIZE	DWG NO	REV
APPROVED		C	4-1700FAPC	
		SCALE	SHEET 1 OF 1	

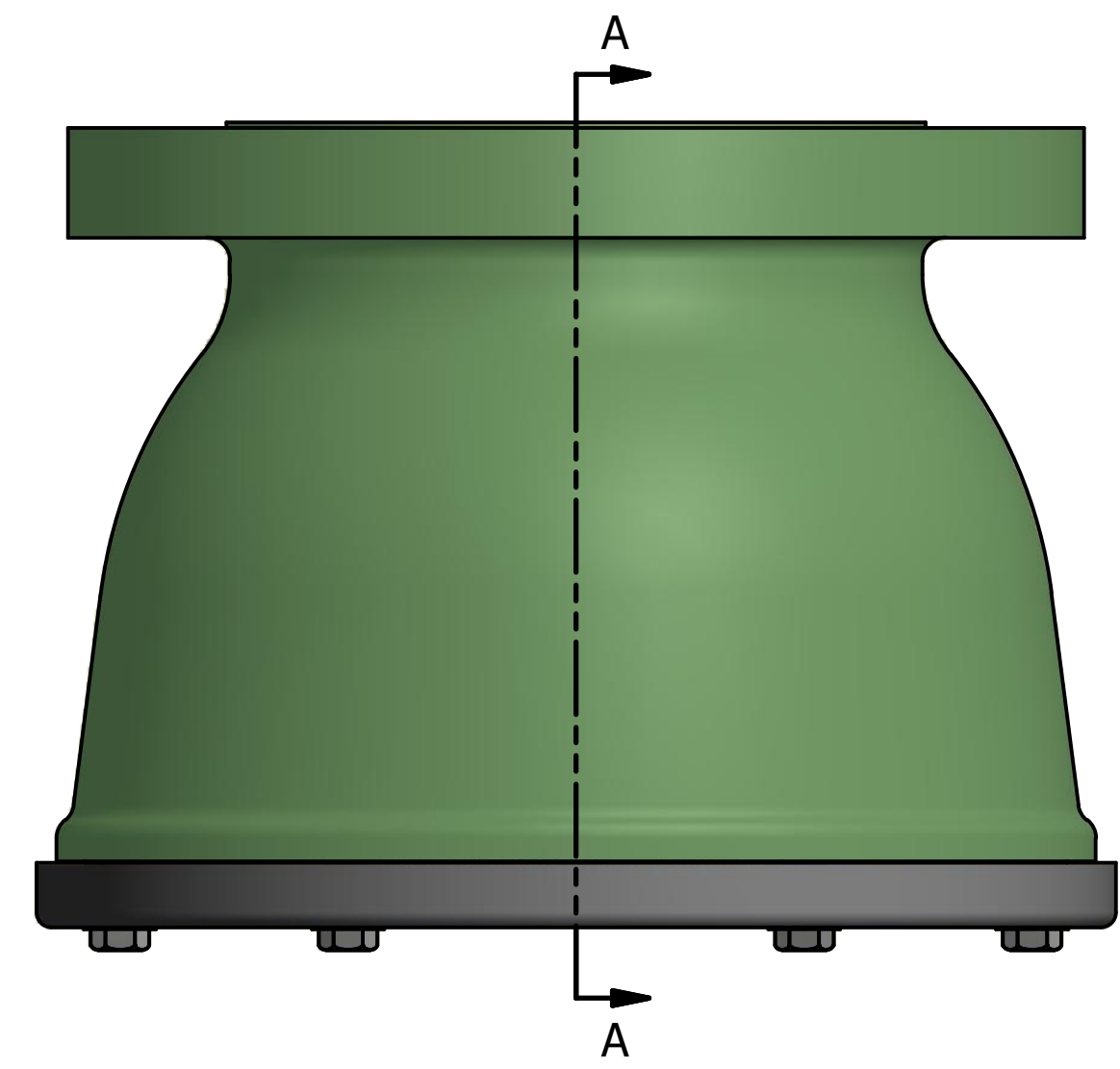


SECTION A-A  
SCALE 1 / 2



Parts List					
ITEM	QTY	PART NUMBER	DESCRIPTION	MATERIAL	MASS
1	1	1706AFF	VALVE BODY	ALUMINUM	14.885 lb
2	1	SEAT-6B	SEAT	BUNA RUBBER	0.152 lb
3	1	1726A-F	FLOAT SUPPORT	ALUMINUM	0.942 lb
4	1	SCRN-6-30SS	INSECT SCREEN	STAINLESS STEEL	0.557 lb
5	1	FLT-7.5P-1 2	FLOAT	HDPE	0.467 lb*
6	1	1737-6	GUIDE ROD	STAINLESS STEEL	0.248 lb
7	1	SCRN-6-1/4SS	DEBRIS SCREEN	STAINLESS STEEL	2.386 lb
8	1	BOLT-1/4-1	GUIDE ROD BOLT	STAINLESS STEEL	0.003 lb
9	1	1766SS	CAP	STAINLESS STEEL	0.227 lb
10	6	BOLT-3/8-1	CAP MOUNTING BOLT	STAINLESS STEEL	0.006 lb

\* 1.782 LB. FOR STAINLESS FLOAT



DRAWN shardy	5/12/2013	ROBERT H. WAGER CO., INC.		
CHECKED		TITLE		
QA		6" SEWER VENT VALVE		
MFG		SIZE C	DWG NO 6-1700FAPC	REV
APPROVED		SCALE	SHEET 1 OF 1	