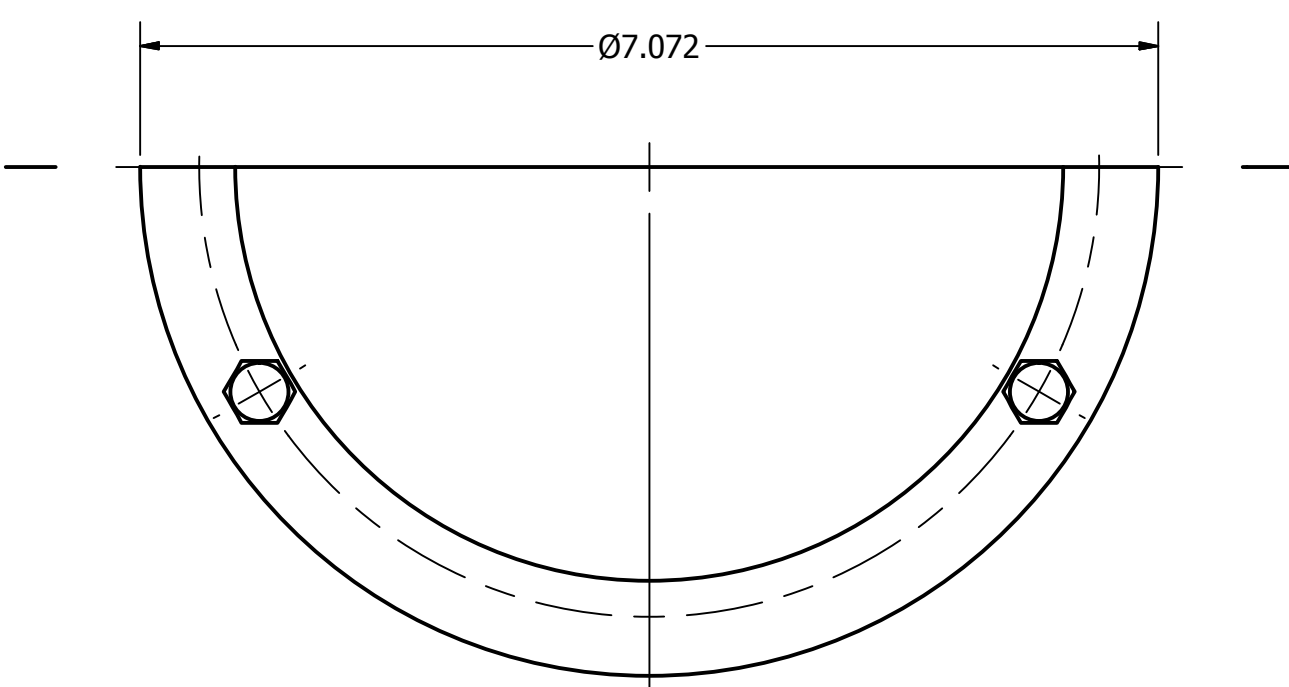
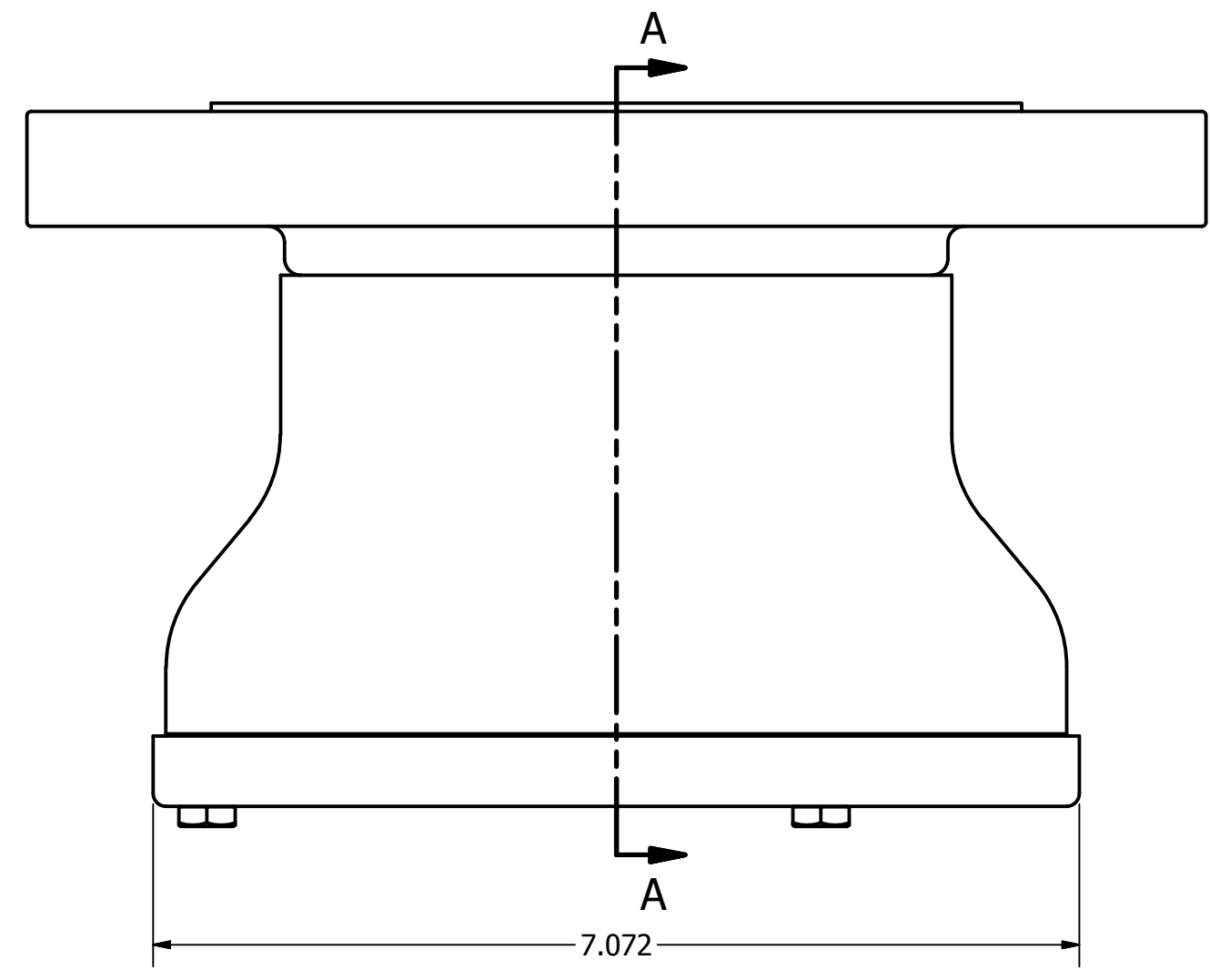


SECTION A-A
SCALE 3/4



PARTS LIST					
ITEM	QTY	PART NUMBER	NAME OF PART	DESCRIPTION	MATERIAL
1	1	1600-4AFF	HOUSING	B16.5, FLANGED, PC	Aluminum
2	1	SCRN-4-30SS	FLAME/BUG SCREEN	30 x 30 MESH, .011 WIRE DIA.	Stainless Steel
3	1	SR-4-B	SPACER RING	CAST, .500" THICK	Aluminum
4	1	SCRN-4-1/4SS	PROTECTIVE SCREEN	1/4 x 1/4 MESH, .047 WIRE DIA.	Stainless Steel
5	1	1621SS	CAP	STAMPED, 20 GAGE	Stainless Steel
6	3	BOLT-1/4-1	CAP BOLT	1/4-20 x 1" HEX HEAD	Stainless Steel



DRAWN SHARDY	7/9/2024	ROBERT H. WAGER CO., INC.		
CHECKED		TITLE TANK AIR ESCAPE - 4" FLANGED, ALUMINUM, POWDERCOATED		
QA		SIZE C	DWG NO 4-1600FAPC	REV
MFG		SCALE	SHEET 1 OF 1	
APPROVED				