

Robert H Wager Co., Inc.

570 Montroyal Road
 Rural Hall, NC 27045
 Ph: 800-562-7024
 Fx: 336-969-6375
 www.wagerusa.com

1700 Series (w/ full float)

When Ordering, Please Specify:
 Body Material, Connection, and Float Material

Body Materials:

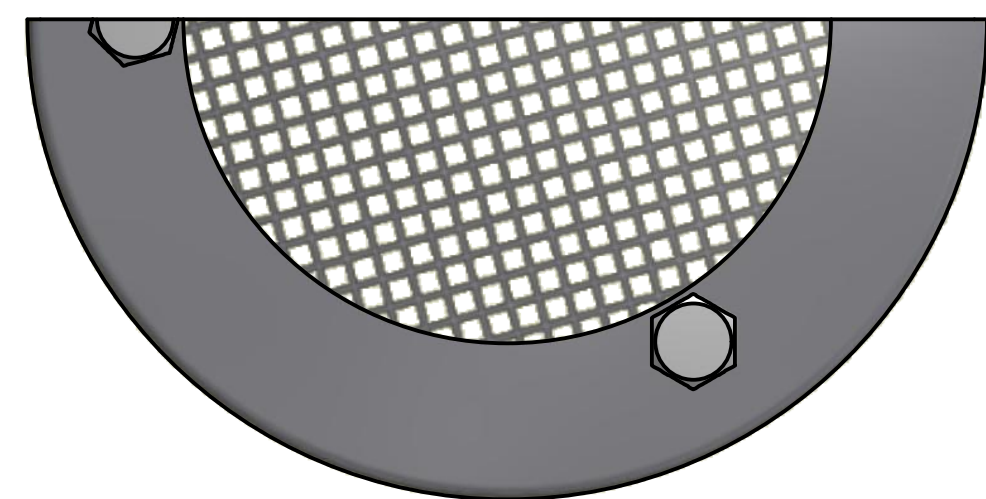
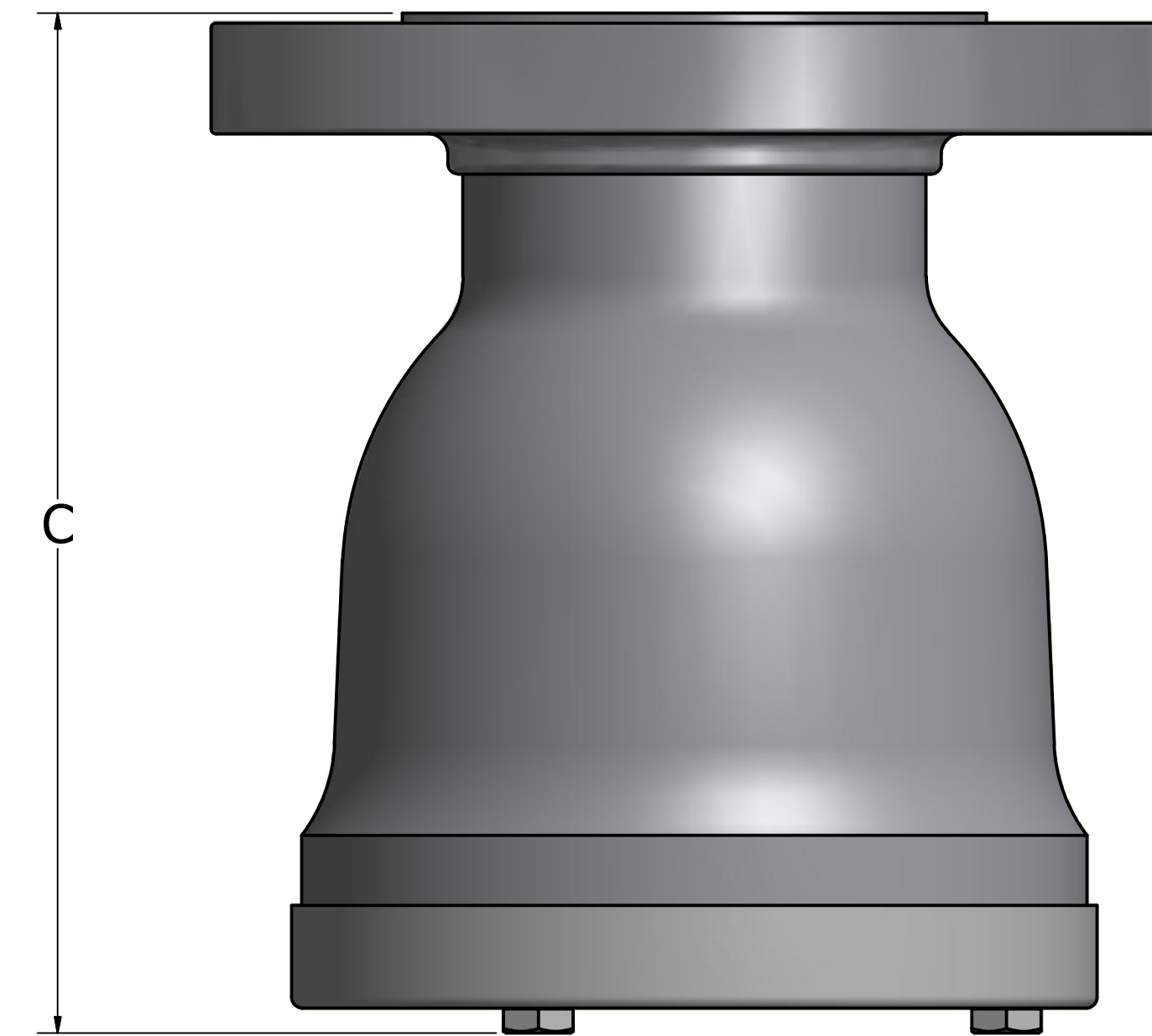
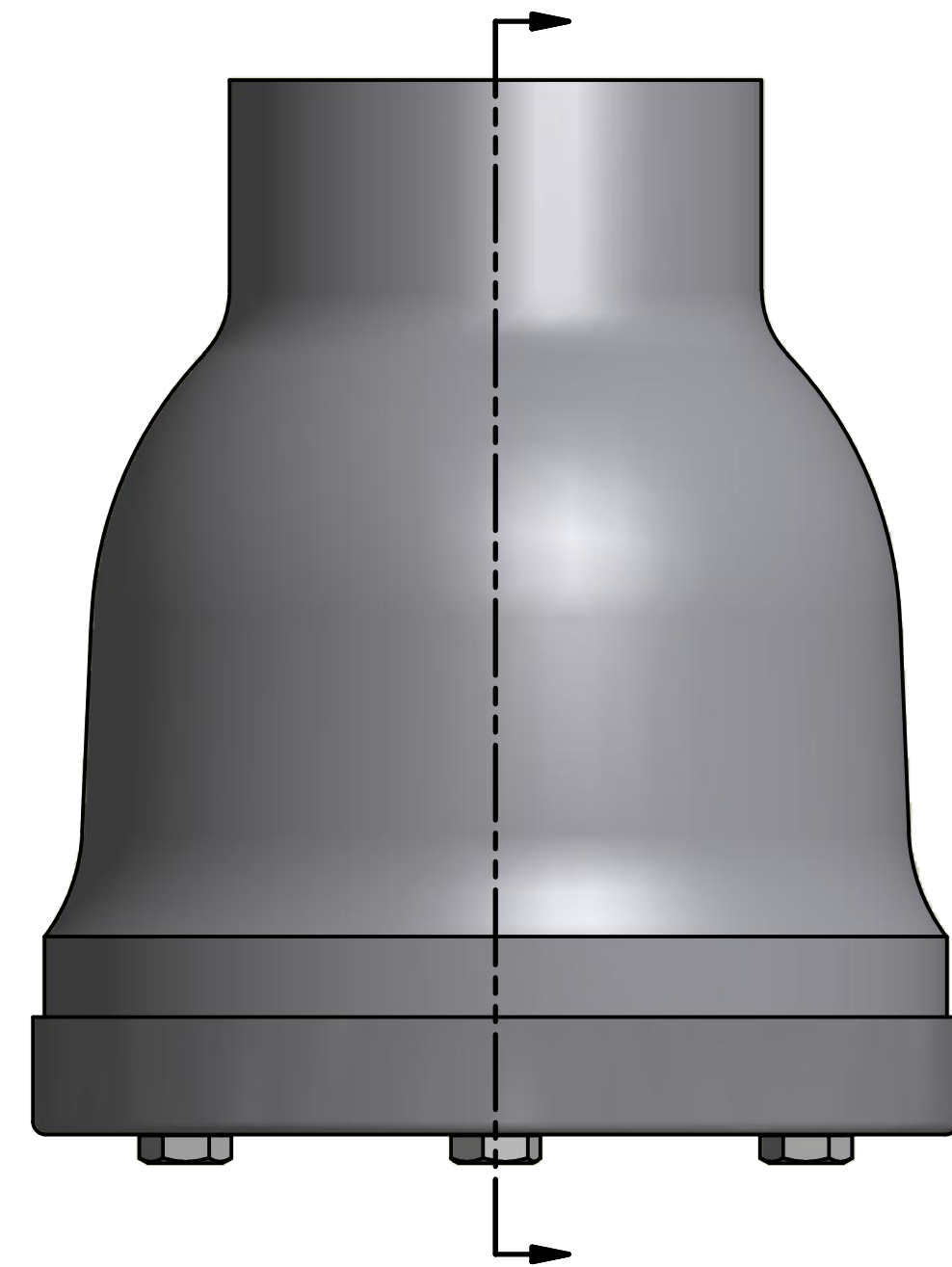
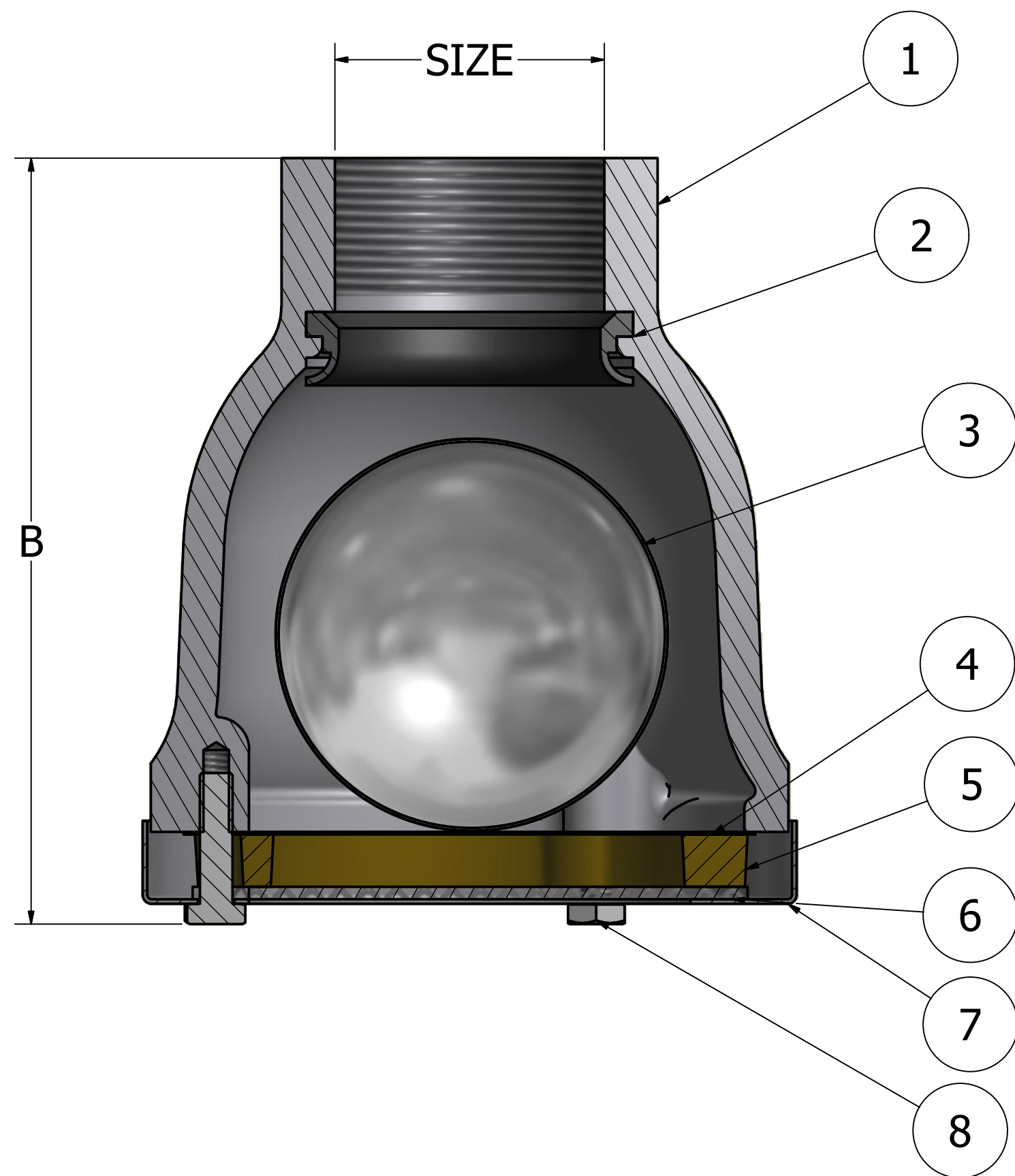
- 1020 Galvanized Steel
- Bronze (ASTM-B62)
- Anodized Aluminum (356-T6)
- Stainless Steel (316)

Float Materials:

- 316 Stainless Steel (Standard)
- Copper
- High Density Polyethylene (Plastic)
- Monel

Connections:

- Threaded
- Buttweld (Steels Only)
- Socketweld (Steels and Aluminum Only)
- Flanged
- Sil-Brazed (Bronze Only)



| Parts List | | |
|------------|-----|--------------------|
| ITEM | QTY | NAME OF PART |
| 1 | 1 | BODY |
| 2 | 1 | SEAT |
| 3 | 1 | FLOAT |
| 4 | 1 | FLAME SCREEN |
| 5 | 1 | SPACER RING |
| 6 | 1 | PROTECTIVE SCREEN |
| 7 | 1 | RETAINER CAP |
| 8 | * | CAP MOUNTING BOLTS |

| SIZE CHART | | | | | | | |
|-------------------|-------|-------|--------|-----------|---------------|------------|-----------|
| SIZE | A | B | C | WEIGHT | W/ FLANGE | # OF HOLES | HOLE SIZE |
| .75,1,1.25 STEEL | 4.500 | 4.875 | 5.25 | 5 (LB) | 8 (LB) | 4 | 0.625 |
| ONLY 1.5 ALL | | | | | | | |
| 2-ALL | 5.375 | 5.937 | 6.437 | 8 | 12 | 4 | 0.750 |
| 2.5-ALL | 6.250 | 6.375 | 7.000 | 10 | 17 | 4 | 0.750 |
| 3-ALL | 7.125 | 7.250 | 7.937 | 15 | 24 | 4 | 0.750 |
| 4-ALL | 7.813 | 8.750 | 9.5625 | 20 | 31 | 8 | 0.750 |
| .75,1,1.25 BRONZE | 4.000 | 4.189 | 4.25 | 3.5B,1.5A | 2.25 | 4 | 0.625 |
| & ALUMINUM | | | | | ALUMINUM ONLY | | |

* 4" HAS (4) MOUNTING BOLTS AND WASHERS