

Robert H. Wager Co., Inc.

570 Montroyal Road
 Rural Hall, NC 27045
 Ph: 800-562-7024
 Fx: 336-969-6375
 www.wagerusa.com

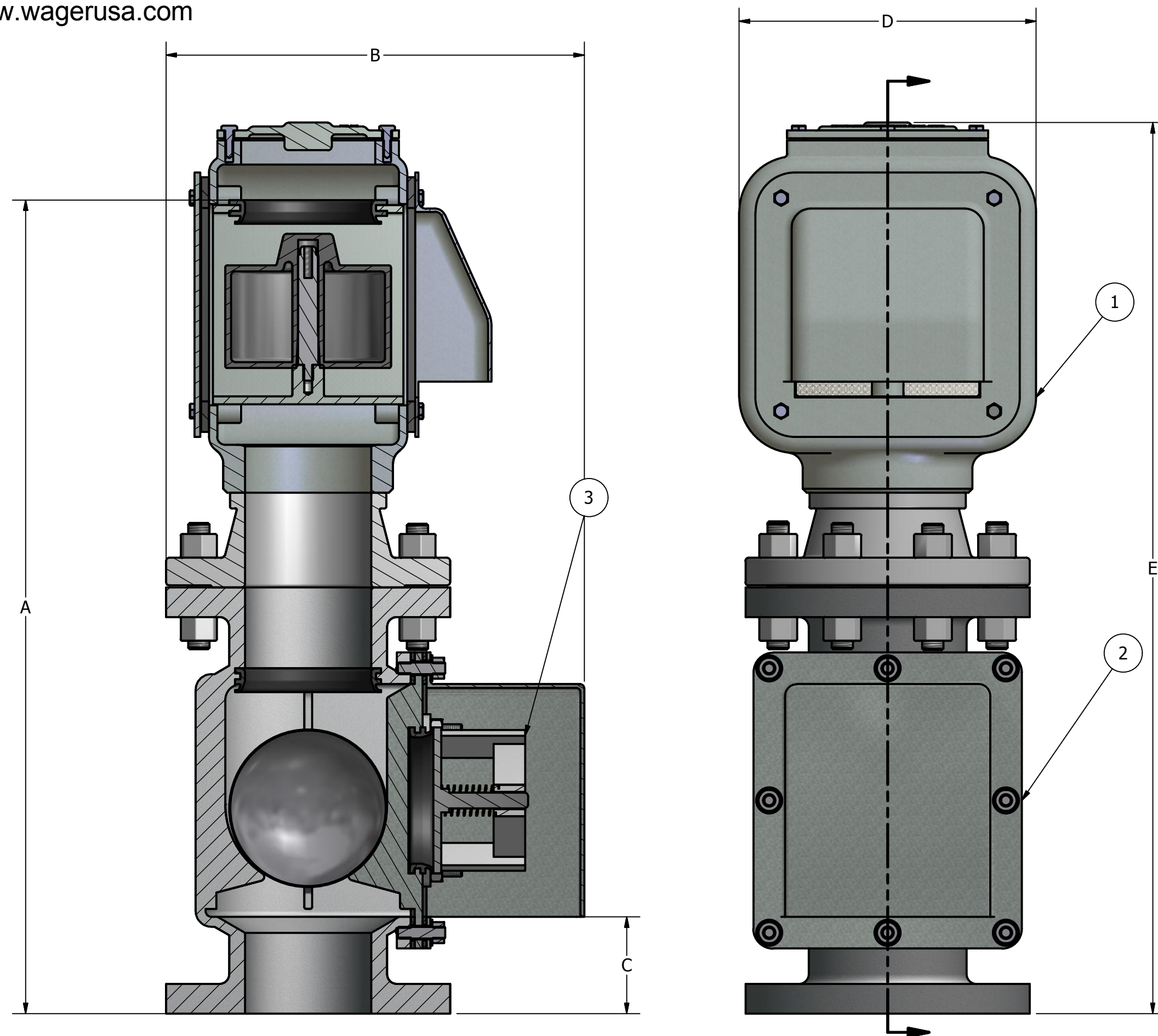
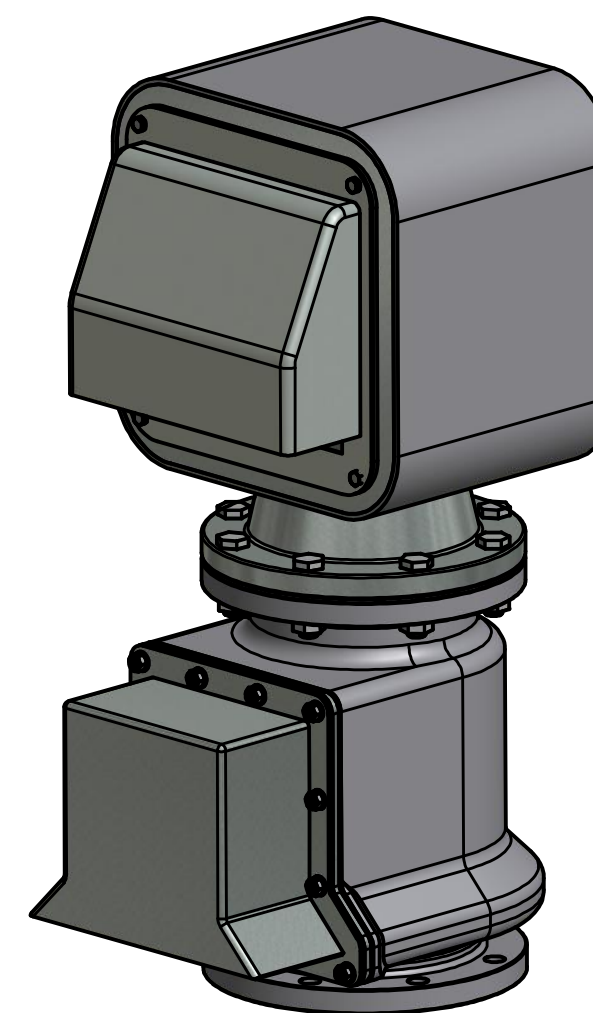
MUD VALVE

1300 INLINE CHECK VALVE W/ OVERFLOW RELIEF
 AND 1500 VERTICAL VENT VALVE ASSEMBLY

When Ordering, Please Specify:
 Body Material and Connection

Body Materials:
 Galvanized Steel (1020) ASTM-A-29
 Stainless Steel (316)

Connections:
 Flanged (ANSI B16.5 - Standard)(all sizes)
 Std. cut groove for Victaulic S/07 coupling(all sizes)
 Buttweld (all sizes)
 Threaded (all sizes)



PARTS LIST		
ITEM	QTY	PART
1	1	VERTICAL VENT CHECK VALVE
2	1	INLINE VENT CHECK VALVE
3	1	OVERFLOW RELIEF COVER

SIZE	SIZE CHART				
	A	B	C	D	E
4	25.766	13.250	3.063	9.406	28.219
5	29.144	14.875	3.125	11.500	31.000
6	32.519	16.375	2.125	13.975	34.475
8	36.519	20.460	3.701	16.910	38.910
10	42.180	25.250	5.000	22.125	46.150