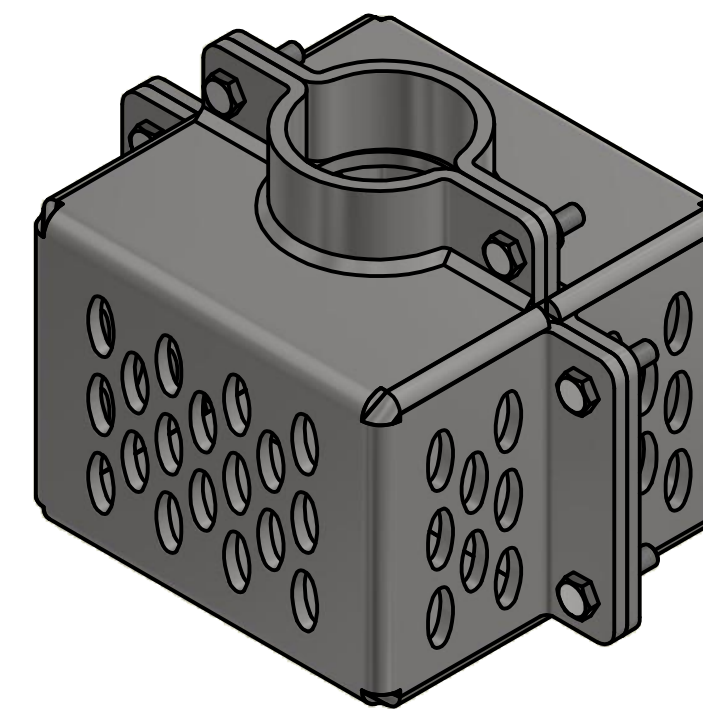
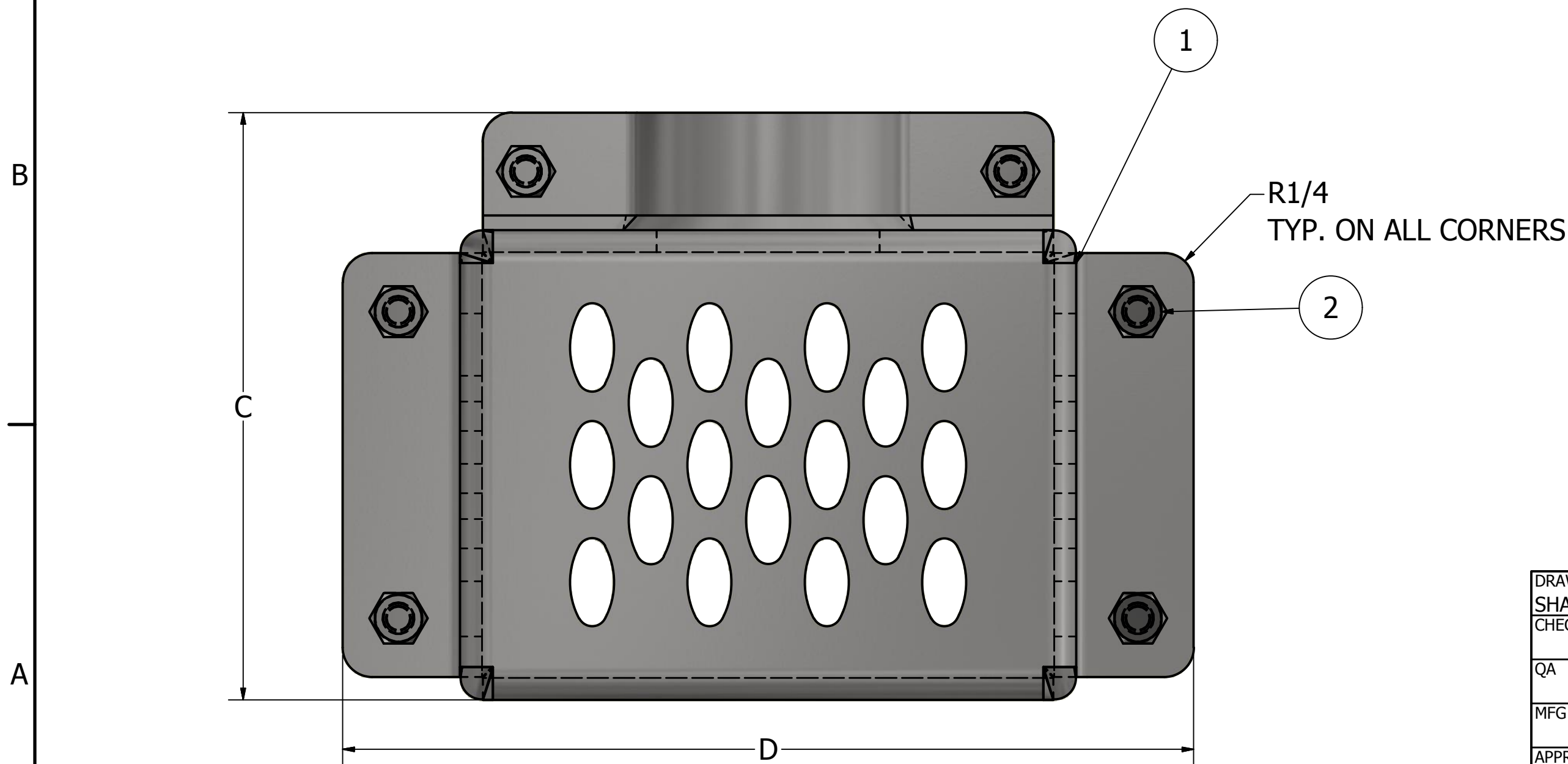


PARTS LIST				
ITEM	QTY	DESCRIPTION	MATERIAL	COMMENTS
1	2	PERFORATED BOX	Galvanized Steel or Stainless Steel	3/8" X 3/4" OVAL STAGGERED HOLES
2	6	ASSEMBLY BOLT	Stainless Steel	
3	6	HEX NUT	Stainless Steel	

DIMENSION TABLE				
PIPE ND	A	B	C	D
1.5	6.00	6.00	5.00	7.25
2	6.00	6.00	5.00	7.25
2.5	6.00	6.00	5.00	7.25
3	6.00	6.00	5.00	7.25
4	11.50	11.50	13.50	13.50
5	11.50	11.50	13.50	13.50
6	11.50	11.50	13.50	13.50
8	15.00	15.00	18.00	18.00
10	15.00	15.00	18.00	18.00
12	17.00	16.00	17.50	20.00



DRAWN SHARDY	3/13/2007	ROBERT H. WAGER CO., INC.		
CHECKED		TITLE		
QA		SUCTION STRAINER		
MFG		SIZE C	DWG NO	REV
APPROVED		SRS CUT SHEET		
		SCALE	SHEET 1 OF 1	