

Robert H. Wager Co., Inc.

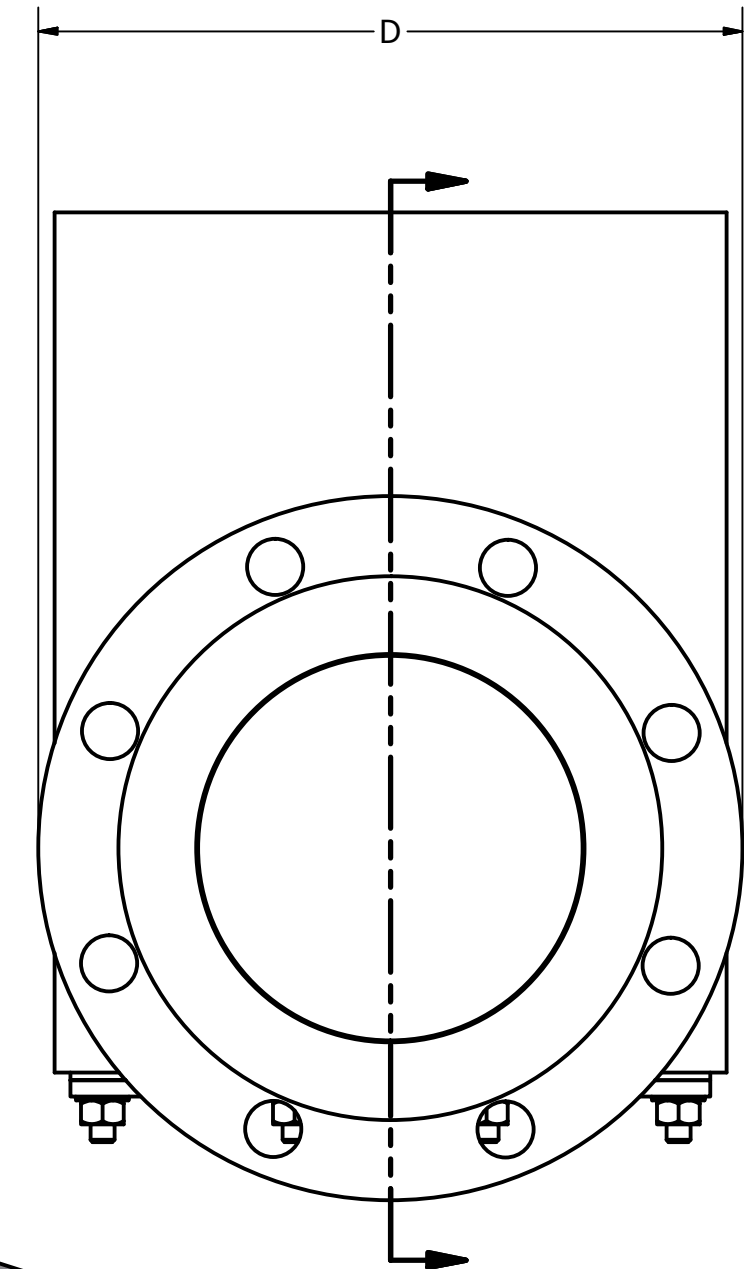
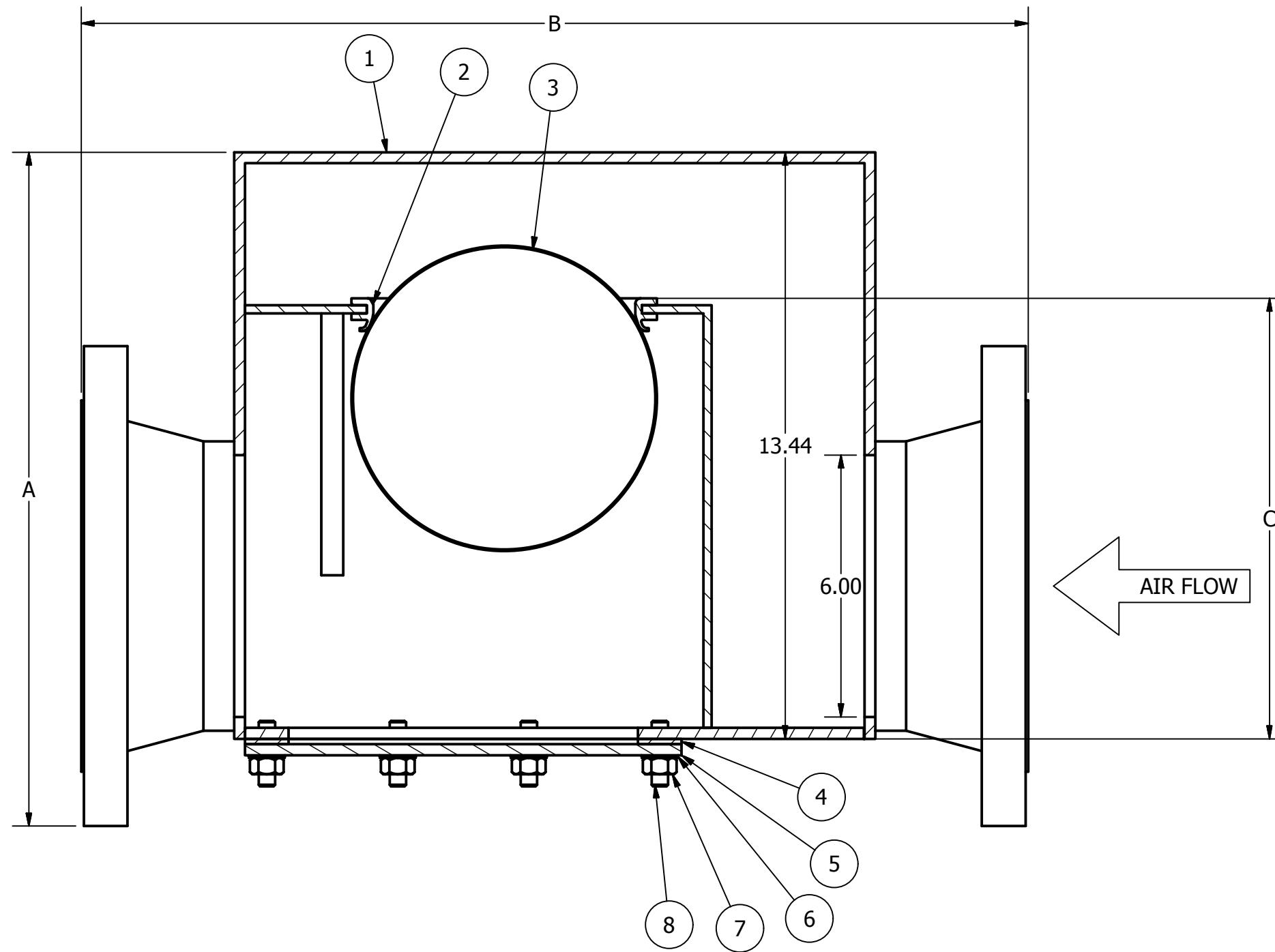
570 Montroyal Road
 Rural Hall, NC 27045
 Ph: 800-562-7024
 Fx: 336-969-6375
 www.wagerusa.com

1300 - HORIZONTAL

HORIZONTAL MOUNT INLINE VENT CHECK VALVE

MATERIALS:

- Galvanized Steel
- 316 Stainless Steel (Standard)
- 304 Stainless Steel
- 5052 Aluminum



PARTS LIST		
ITEM	QTY	PART NUMBER
1	1	BODY
2	1	SEAT
3	1	FLOAT
4	1	BOTTOM GASKET
5	1	BOTTOM COVER
6	*	SEALING WASHER
7	*	NUT
8	*	STUD

SIZE CHART				
SIZE	A	B	C	D
6	15.438	21.688	10.094	11.000
8	19.625	27.000	12.375	13.500
10	23.750	32.938	15.219	16.750
12	26.750	36.500	18.093	20.500
14	32.250	40.750	21.531	21.750

* 6"- HAS 12 NUTS, STUDS, & WASHERS
 8"- HAS 16 NUTS, STUDS, & WASHERS
 10"- HAS 20 NUTS, STUDS, & WASHERS
 12"- HAS 28 NUTS, STUDS, & WASHERS
 14"- HAS 32 NUTS, STUDS, & WASHERS

