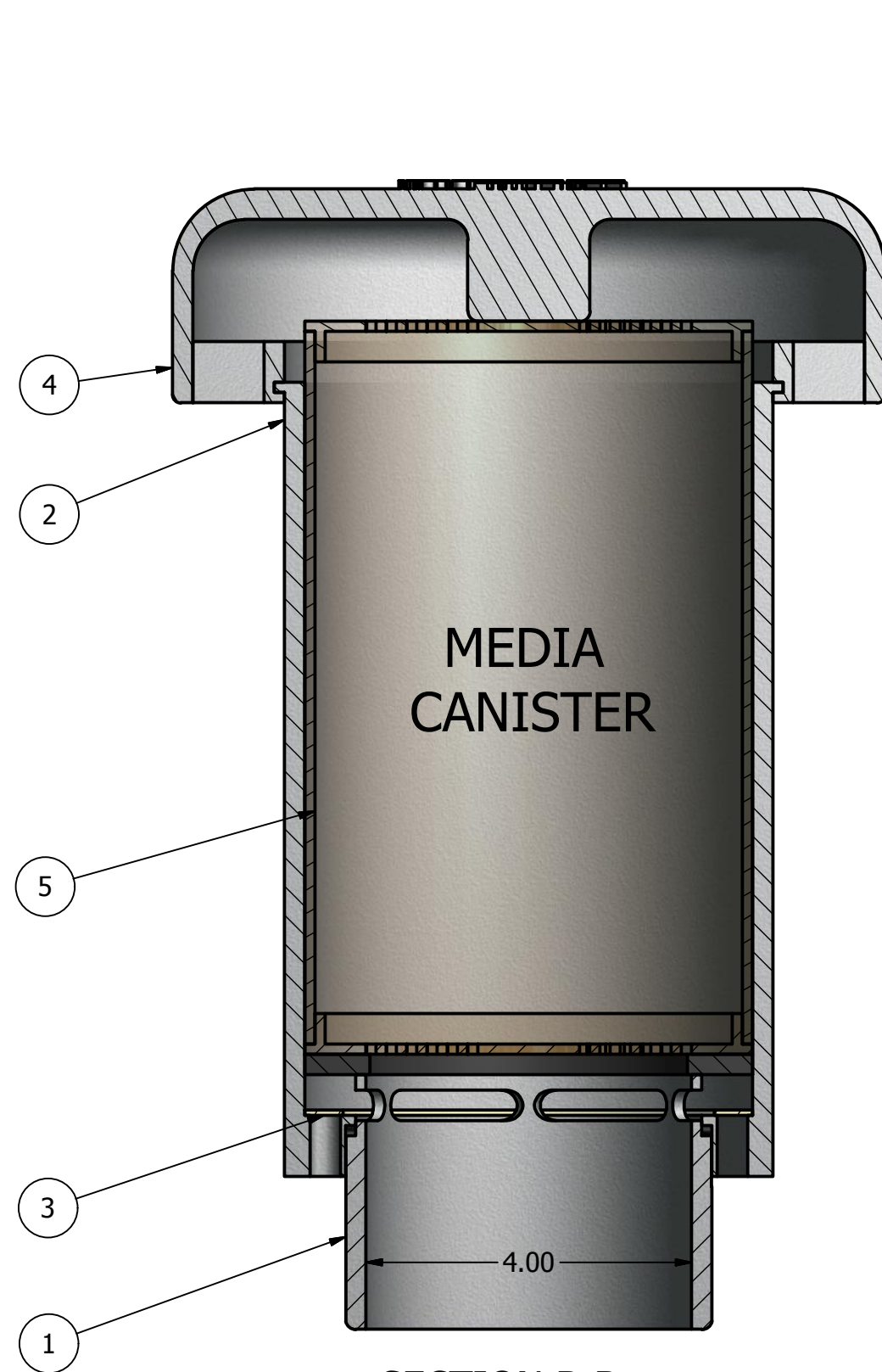


Robert H. Wager Co., Inc.

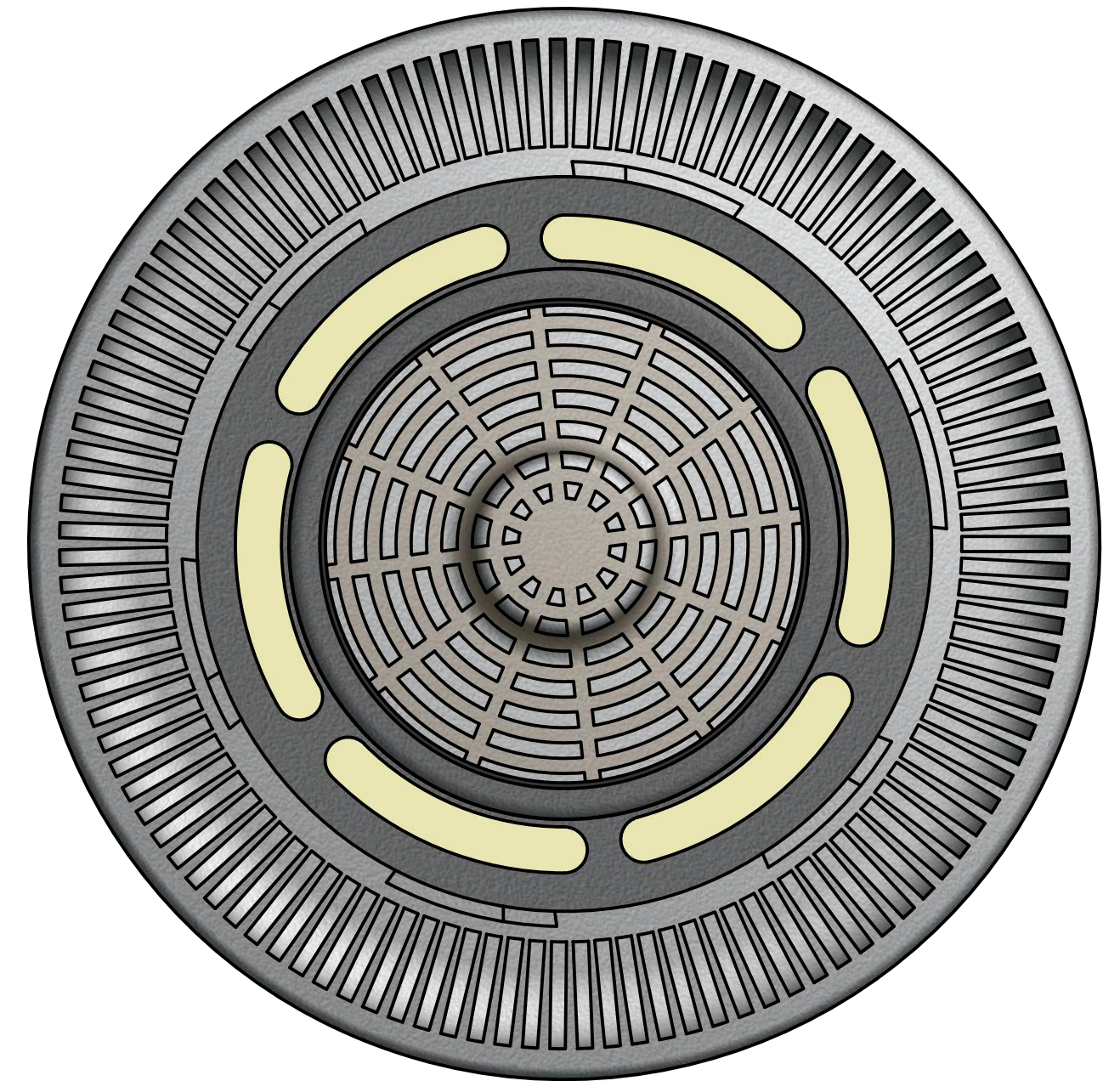
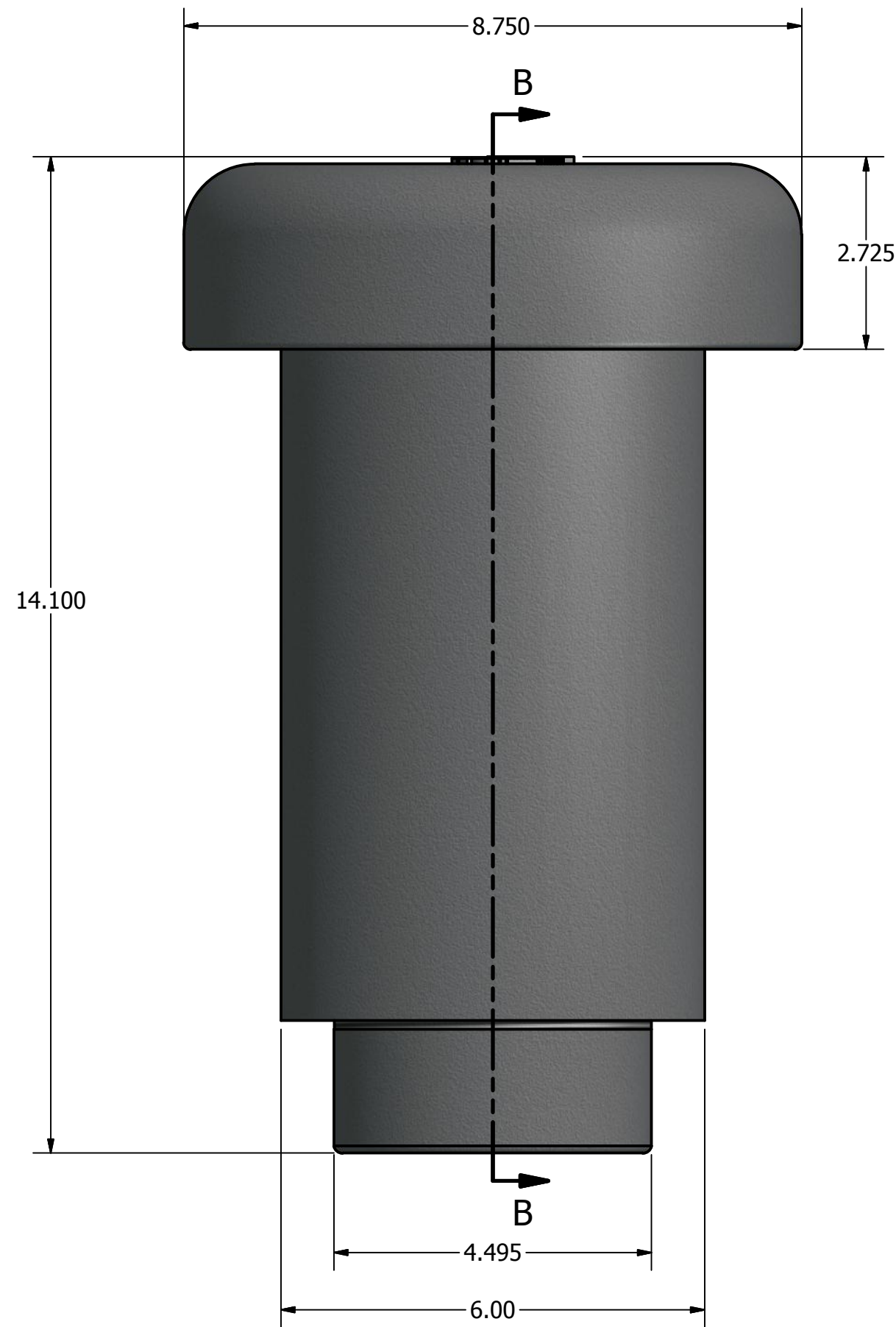
570 Montroyal Road
 Rural Hall, NC 27045
 Ph: 800-562-7024
 Fx: 336-969-6375
 www.wagerusa.com

RV-1200

SLIP-ON MOUNT ODOR CONTROL ROOF VENT



SECTION B-B
 SCALE 1/2



PARTS LIST			
ITEM	QTY	PART NUMBER	DESCRIPTION
1	1	RV-4BASE	4" CONNECTION
2	1	RV-4BODY	HOUSING FOR MEDIA
3	1	RV-GASKET	RUBBER GASKET FOR VACUUM RELIEF
4	1	RV-4CAP	VENTING LID
5	1	OCI-1200	ODOR CONTROL CANISTER W/ SEALING GASKET

DRAWN shardy	12/18/2014	ROBERT H. WAGER CO.	
CHECKED		TITLE 4" ROOF VENT W/ 5LB MEDIA ODOR CONTROL	
QA		SIZE C	DWG NO RV-1200
MFG		SCALE	REV
APPROVED			SHEET 1 OF 1